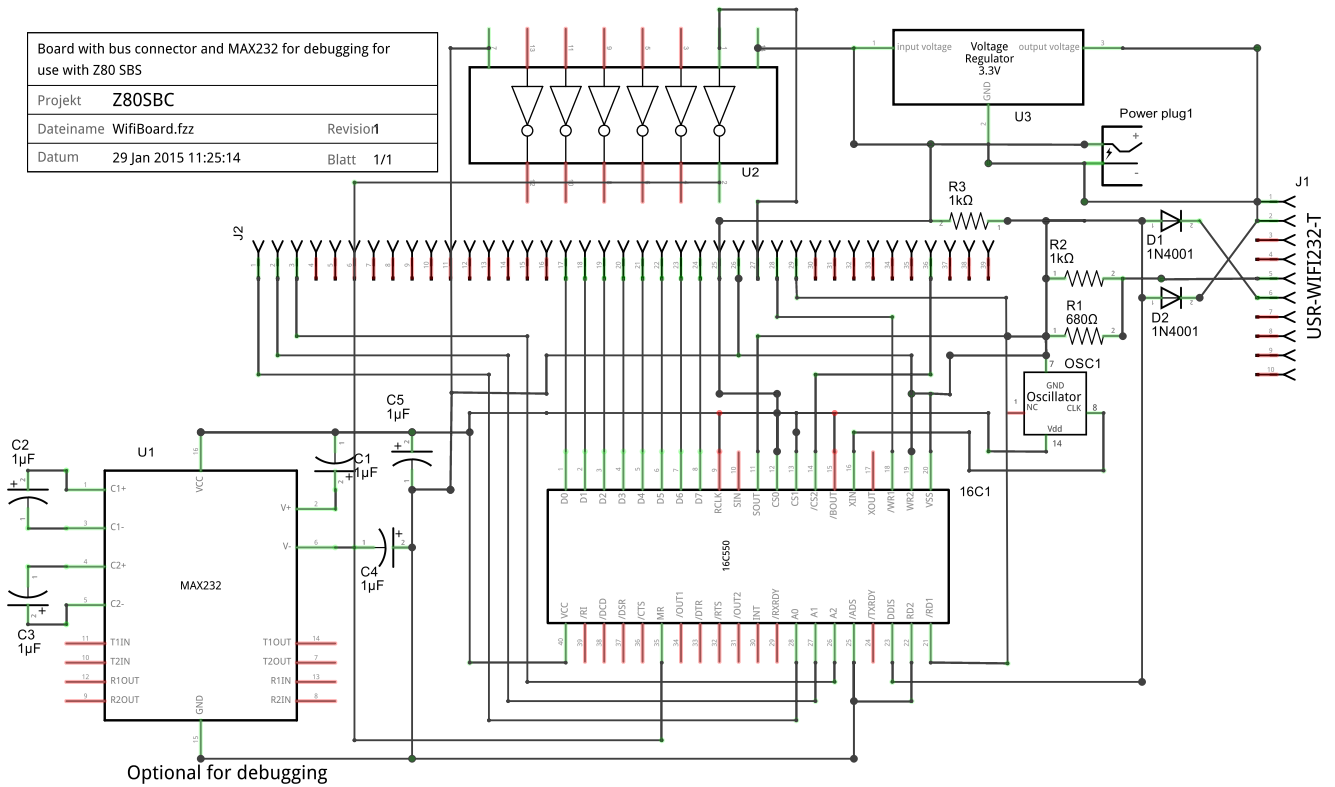


Board with bus connector and MAX232 for debugging for use with Z80 SBCs	
Projekt	Z80SBC
Dateiname	WifiBoard.fzz
Revisiorf	
Datum	29 Jan 2015 11:25:14
Blatt	1/1



Optional for debugging